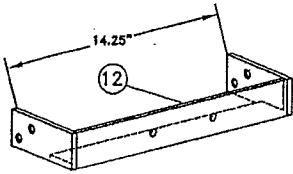
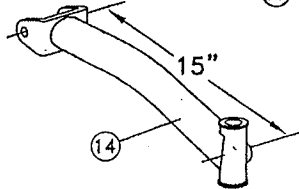
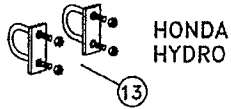




PRO 1 and X2 Options

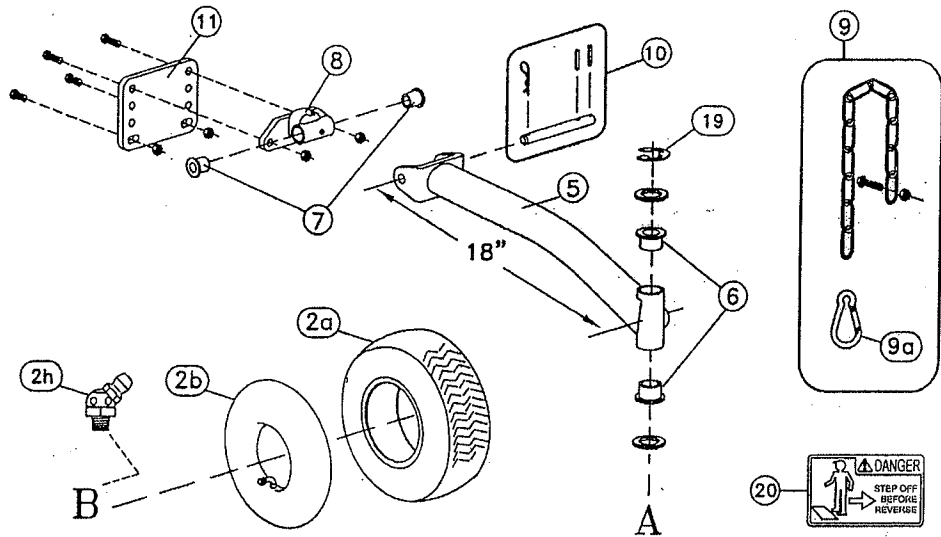


48" FERRIS HYDROWALK

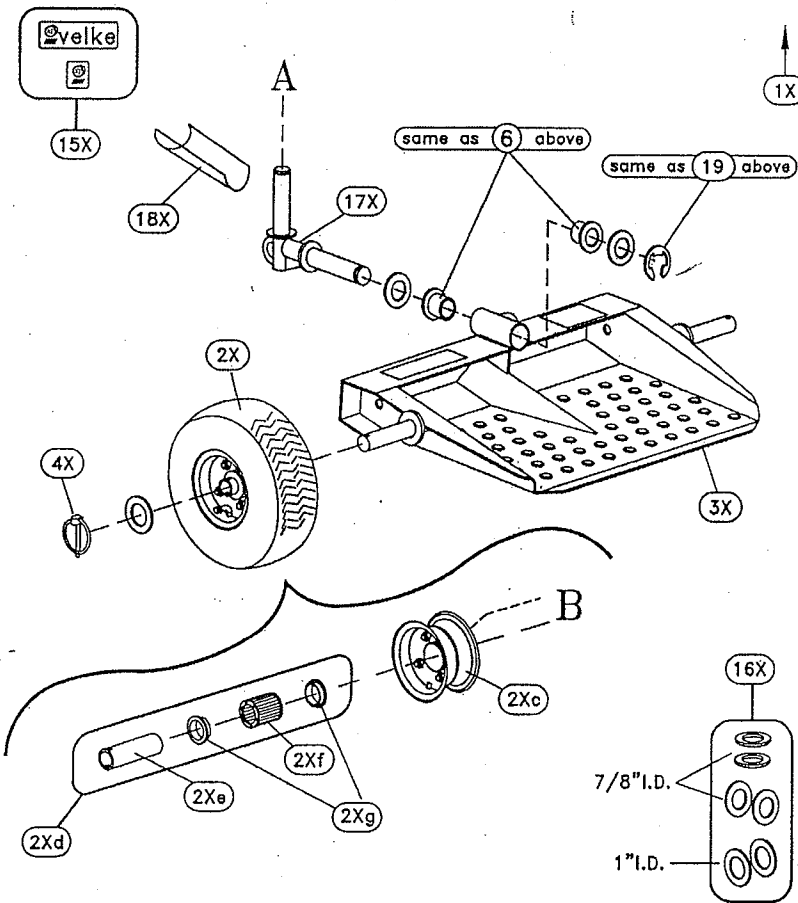


Optional SHORT 15" arm

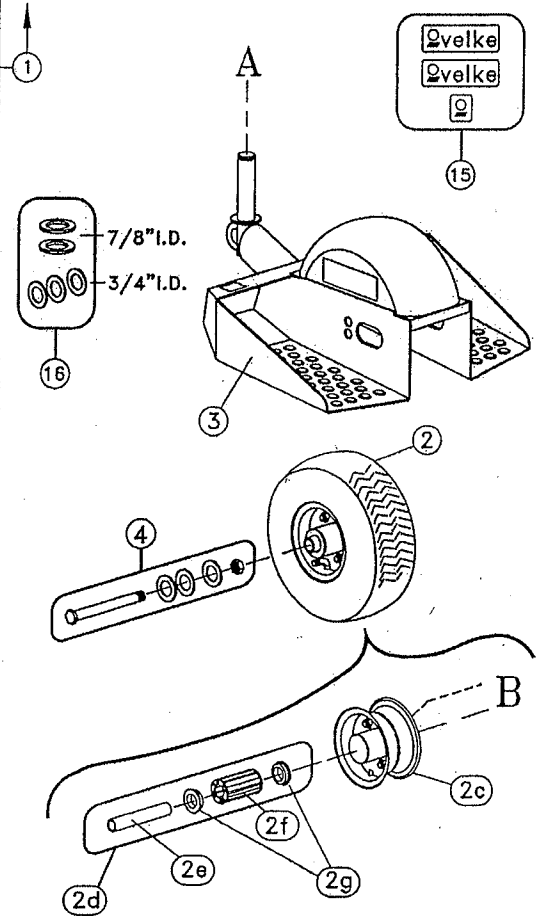
Parts for both velke PRO 1 and X2



Parts for velke X2 only



Parts for velke PRO 1 only



Velketm Sulky: PRO 1 & X2

Velke PRO 1 REF #	Velke X2 REF #	PART #	Color Code: R=red, SC=orange, B=black DESCRIPTION
1		VK200-2(R,SC,B)	VELKE SULKY, PRO 1 w/18" arm [specify R,SC,B]
1		VK200-2(R,B)-15	VELKE SULKY, PRO 1 w/15" arm [specify R,B]
1		VK200-2WV	VELKE SULKY, PRO 1 for Wright Velke Mower [adapter and chain kit not included]
	1X	VKX2-3(R,SC,B)	VELKE SULKY, X2 w/18" arm [specify R,SC,B]
	1X	VKX2-3(R,B)-15	VELKE SULKY, X2 w/15" arm [specify R,B]
	1X	VKX2-3WV	VELKE SULKY, X2 for Wright Velke Mower [adapter and chain kit not included]
2		VKWHEEL	Wheel Assy., w/ centered hub & spanner
	2X	VKXWHEEL	Wheel Assy., w/ offset hub & spanner
2a		VKTIRE	9" x 3.5" 4 Ply Turf Tread, Tire
2b		VKTUBE	9" x 3.5" Tube for VKTIRE
2c		VKRIM/HUB	4" x 2.25" 3 Piece Rim/Centered Hub Assy. (w/o bearings)
	2Xc	VKXRIM/HUB	4" x 2.25" 3 Piece Rim/Offset Hub Assy. (w/o bearings)
2d		VKBRGKIT	Bearing Kit PRO 1 (w/ Roller Bearing, Retainers & Spanner)
	2Xd	VKXBRGKIT	Bearing Kit X2 (w/ Roller Bearing, Retainers & Spanner)
2e		VKSPNNR	Spanner, 3/4" O.D.
	2Xe	VKXSPNNR	Spanner, 1" O.D.
2f		VKRLBRG	Roller Bearing, 3/4" I.D.
	2Xf	VKXRLBRG	Roller Bearing, 1" I.D.
2g		VKBRGRTNR	Bearing Retainer, 3/4" I.D. (2 required)
	2Xg	VKXBRGRTNR	Bearing Retainer, 1" I.D. (2 required)
2h		VKWHLZERK	Grease Fitting For VKWHEEL & VKXWHEEL
3		VKPLAT2-2(R,SC,B,WV)	Foot Platform PRO 1 (w/ decals) [specify R,SC,B,WV]
	3X	VKXPLAT2-2(R,SC,B,WV)	Foot Platform X2 (w/ decals, bushings,zerk) [specify R,SC,B,WV]
4		VKAXLE2-2	Axle Bolt (w/ spacers and self locking nut)
	4X	VKXLPIN	Linch Pin for X2 axle
5		VKARM2-2(R,SC,B)	Arm, 18" (w/ bushings & grease fitting) [specify R,SC,B]
	5	VKARM2-2WV	Arm, 18" (w/ bushings & grease fitting) for Wright Velke Mower with deployment catch
6		VPIVOTBUSH	Bronze Bushing pivot(s) (PRO 1 req. 2; X2 req. 4)
7		VHITCBUSH	Bronze Bushing for hitch (2 required)
8		VKHITCH2-2-BLK	Hitch (w/ bushings & grease fitting) [Black]
9		VELKIT2-2	Snap & Chain Kit (includes chain, snap, nut, bolt)
9a		VSNAP	Spring Snap for chain
10		VKPIN2-2	Clevis pin for hitch, w/ hair pin & roll pins
11		VADAPTER	Adapter plate for hitch height adjustment
12		VK-ADPT-FE	Adapter kit to mount VELKE to 36" & 48" Ferris HydroWalk
13		VK-ADPT-HN	U-Bolt kit for attaching VELKE to Honda Hydro
14		VKARM-SHORT(R,B)	Optional SHORT 15" arm (w/ bushings) [specify R,B]
15		VKLABEL	Decal set for VELKE PRO 1 Sulky (incl. all three)
	15X	X2-VKLABEL	Decal set for VELKE X2 Sulky (incl. 2 labels)
16		VKSPCKIT	Spacer kit (includes both sizes needed, 4 total)
	16X	VKXSPCKIT	Spacer kit (includes both sizes needed, 6 total)
	17X	VKXPIVIV-BLK	Intermediate Pivot [Black only]
	18X	VKXPROTEC	Protective cover (for fold-up feature)
		COTT1/4-175	Cotter Pin(s) 1/4" x 1 3/4": (PRO 1 req. 1; X2 req. 2)
19		15990010	E Clip 7/8": (PRO 1 req. 1; X2 req. 2) (Supercedes Cotter Pin)
x x		CB4BEST	4-Color Sales Flyer, "Four best workers..."
x x		COMMON:	Other common hardware should be purchased locally. All bolts must be grade 5.

BLK:Spreadsheet/Calculation/Prog/Velke/Prices 06/22/04.xls

These are manufacturer's suggested list prices and specifications and are subject to change without notice.

Wright Manufacturing, Inc. 4600X Wedgewood Blvd., Frederick, Maryland, 21703 U.S.A. - phone 301.360.9810 - fax.301.360.9820

© 1991-2004 Wright Manufacturing, Inc. All rights reserved. Velke, Velke Pro 1, Velke X2 are trademarks of W